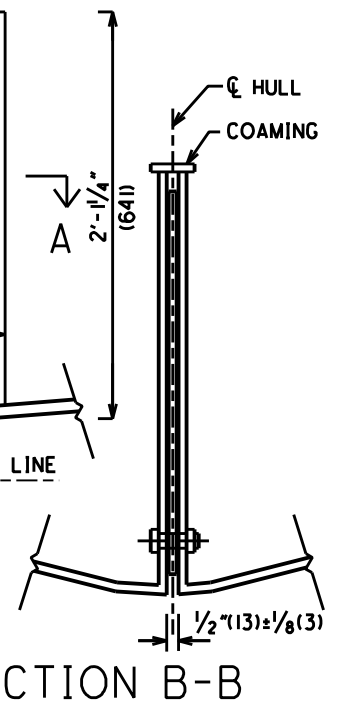
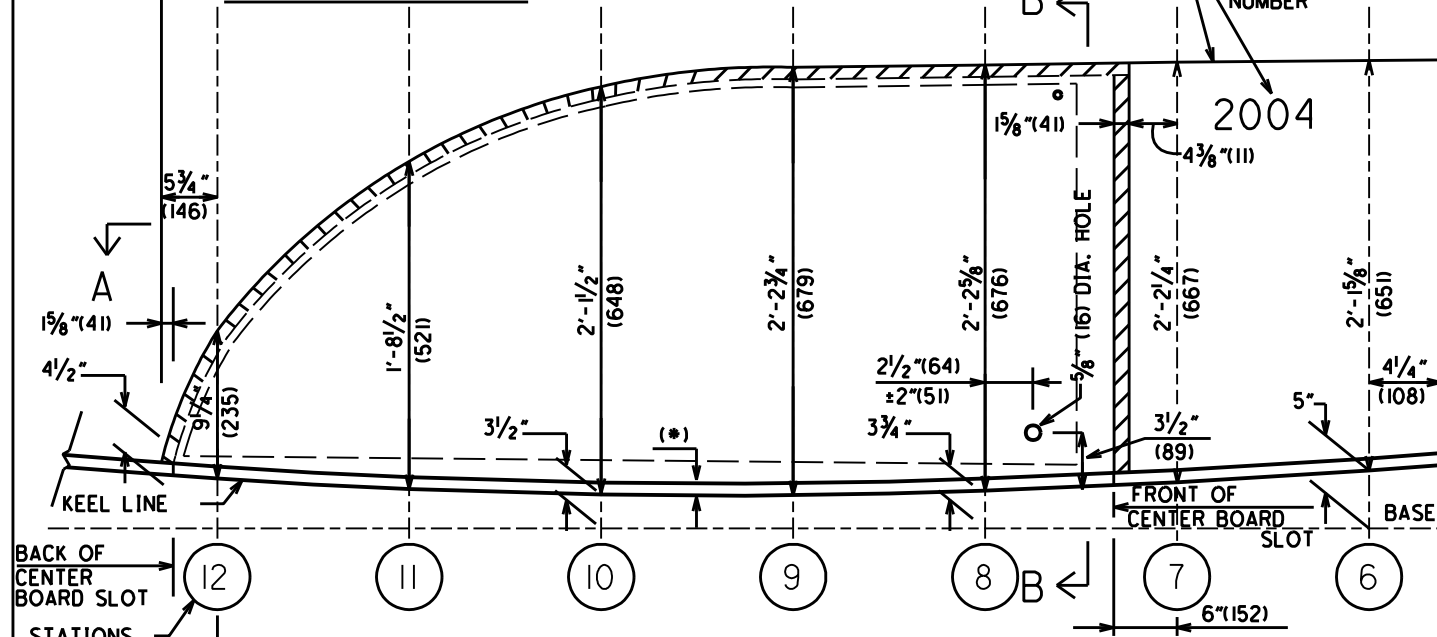


NOTE:
 CENTER BOARD
 TRUNK CONSTRUCTION
 5/8" (16) Marine Grade
 Plywood Recommended
 1/2" min (13). Seal with
 1/2oz (0.04) Chopped
 Strand Fiberglass
 Mat and 10 oz (.28 Kg)
 Woven Fiberglass
 Cloth



(*) ALLOW 3/4" (19) FOR THICKNESS OF BOAT BOTTOM /W CORE OR
 1/4" (6) W/O CORE

SHT. #
7/13

DATE
JUNE
2004

DWG:
CHK
TK

INTERLAKE SAILING CLASS
 ASSOCIATION
 CENTER BOARD TRUNK LAYOUT