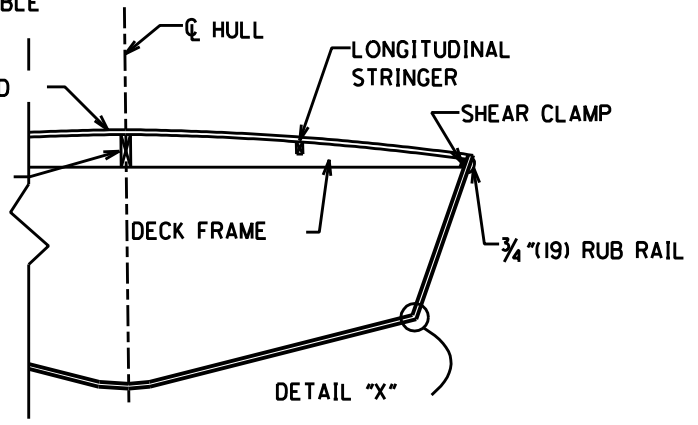


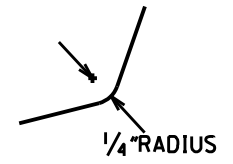
**CENTER BOARD**

(NOT TO SCALE)  
 MAXIMUM THICKNESS = 1/4"  
 MATERIAL MAY BE STEEL, GALVANIZED STEEL,  
 STAINLESS STEEL, OR ALUMINUM

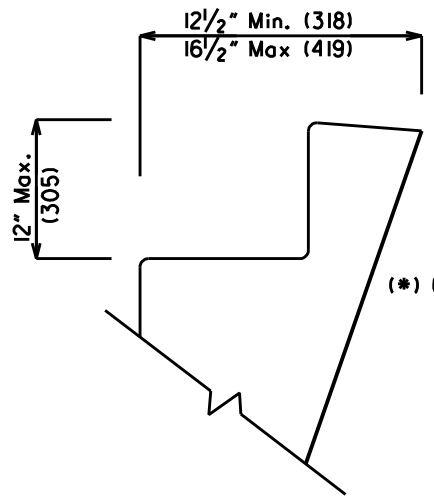


**SECTION A-A**

(NOT TO SCALE)  
 (TYPICAL WOOD DECK SECTION)

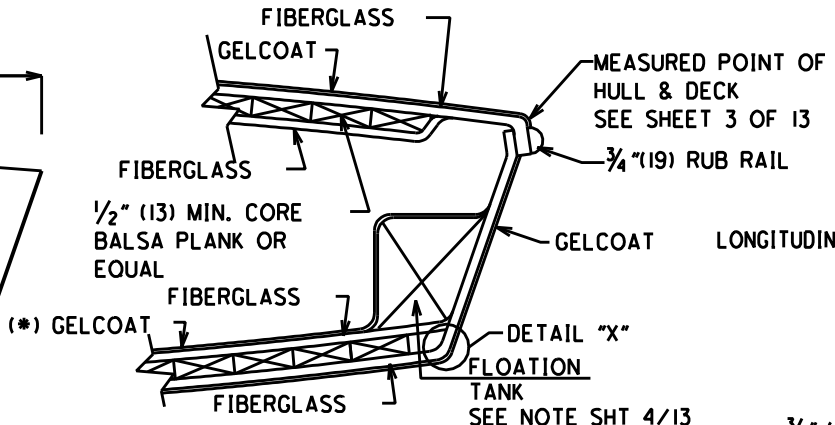


**DETAIL "X"**  
 (CHINE RADIUS)



**OPTIONAL SEATED DECK**

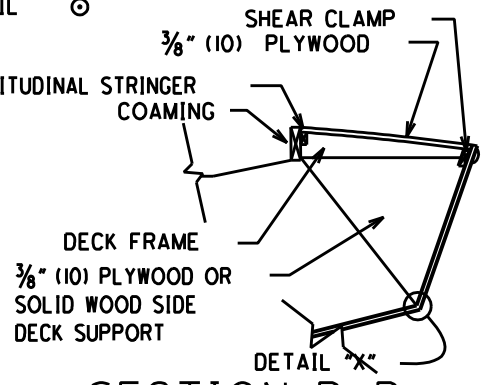
(NOT TO SCALE)



**TYPICAL FIBERGLASS HULL & DECK DETAIL**

(NOT TO SCALE)  
 FOR FIBERGLASS HULL & DECK CONST.  
 SEE SHT 4/13

(\*) OPTIONAL  
 ⊙ MATERIAL MAY BE WOOD, PLASTIC OR ALUMINUM



**SECTION B-B**

(NOT TO SCALE)  
 (TYPICAL WOOD DECK SECTION)

SHT. #	6/13
DATE	JUNE 2004
DWG: CHK	TK
INTERLAKE SAILING CLASS ASSOCIATION DECK DETAILS & CENTERBOARD LAYOUT	